

# **SIDEWINDER MODEL M-2**

**SOLVENT RECOVERY SYSTEM**

**INSTALLATION/OPERATION  
OWNERS MANUAL**

## Table of contents

TABLE OF CONTENTS .....	PAGE 1
SPECIFICATIONS/CAUTIONS .....	PAGE 2
PLACEMENT LOCATION AND INSTALATION .....	PAGE 3
WIRING .....	PAGE 4
PREPARATION .....	PAGE 5
SOLVENTS TO PROCESS .....	PAGE 6
OPERATING YOUR SIDEWINDER .....	PAGE 7
THINGS TO REMEMBER .....	PAGE 8
MAINTENANCE .....	PAGE 9
TRUBLE SIGNALING .....	PAGE 10
CIRCUIT BOARDS .....	PAGE 11
REFRIGERATION SPECIFICATIONS .....	PAGE 12
PARTS LIST .....	PAGE 13
WARRANTY .....	INSIDE BACK COVER

## Specifications:

This information is also included in a label located on the side panel of the unit.

### Sidewinder Model M-2

- 11A, 110-120 V, 1Ph, 60 Hz
- Condensing Unit max. fuse 15 amp at F-1
- For supply connections, use 14 AWG or larger wires suitable for at least 90°C or equivalent.
- See PLACEMENT LOCATION AND INSTALLATION for clearances, do not install closer than 16 inches to a vertical surface.
- Minimum recommended ambient temperature - 50°F (10°C)
- Maximum recommended ambient temperature - 95°F (35°C)
- Capacity 5 US Gallons
- FOR USE ON LEVEL SURFACES ONLY

\*\*\*\*\*

#### CAUTION

To reduce the risk of fire or explosion, install, operate and maintain this equipment in accordance with the instruction manual. This unit is for use in 35°C (95°F) environment with no forced ventilation. Under these conditions, the unit shall be spaced a minimum 5 ft. from potential sources of ignition such as electrical receptacles, switches, pilot lights, fixtures, contacts, and other similar equipment that can produce sparks. If the equipment is used in higher ambient temperatures, an increase in spacing to sources of ignition shall be considered. This unit has only been investigated for use with the solvents indicated in the instruction manual.

#### CAUTION

*Whenever combustible or flammable solvent are present there is a potential for mishap.*

*Personnel should be trained in the safe and proper handling, use and storage of hazardous solvents.*

*Your Sidewinder Solvent Distillation Unit is a safe and reliable hazardous waste management tool when used as intended and operating personnel are trained in its proper use.*

*All operating personnel should familiarize themselves with this manual. Keep this manual readily available to the user.*

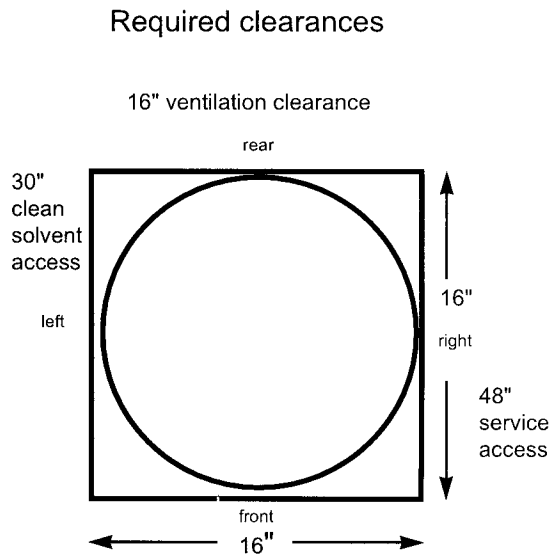
**DANGER! -WARNING!-**  
**DO NOT PROCESS COMPOUNDS OF NITROCELLULOSE,**  
**CELLULOSE NITRATE , ACIDS**  
**OR ANY UNSTABLE REACTIVES**

## PLACEMENT LOCATION AND INSTALLATION

**Do not** locate the unit in an area that normally has solvent vapors present, such as a spray booth, mixing area or solvent storage area. The location should be a well ventilated area away from traffic lanes. Most vapors are heavier than air, **do not** locate below ground level or in a basement..

Locate the Sidewinder in a designated **NO SMOKING, NO SPARKS, NO FLAMES** area. Space the unit a minimum **5 feet** from other potential sources of ignition such as electrical receptacles, switches, pilot lights, contacts, and other similar equipment that can produce sparks. Post the warning sign conspicuously in the processing area.

Situate away from traffic and allow for recommended clearances to allow sufficient air flow through the condenser, to allow access to the clean solvent and to not hinder service access (see clearance diagram). Do not install closer than **16 inches** to a vertical surface at the rear of the unit. Leave 48 inches to the right for service access and at least 30 inches to the left for access to the clean solvent.



The circuitry responds to temperature changes. Select a well ventilated location out of direct sunlight, under cover and **away from any other source of heat**. The Sidewinder is designed for use in ambient temperature from **50°F** (10°C) to **95°F** (35°) .

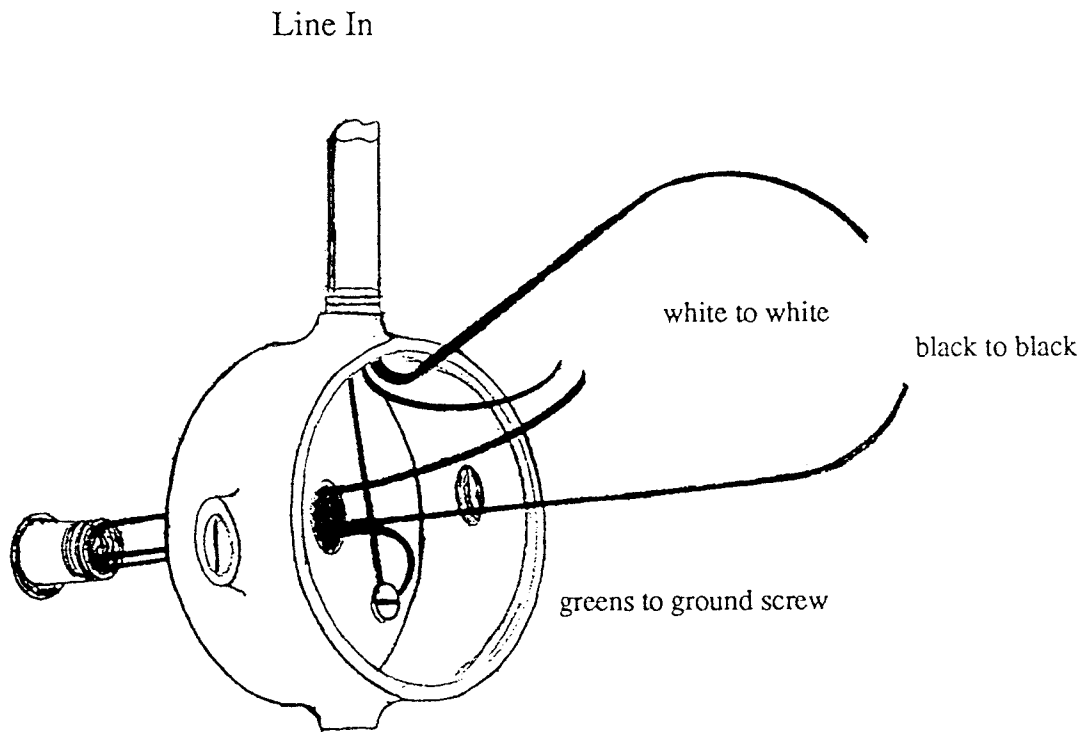
**Attach securely to the floor using the mounting holes at the base of the unit legs.**

The Sidewinder is not intended for outdoor use.

Be sure to post the warning sign conspicuously in the processing area.

## WIRING

Consult local wiring codes and connect to standard 110/120 VAC, 60 Hz, single phase. For supply connections, use 14 AWG or larger wires suitable for at least 90°C or equivalent with an approved ground. We recommend a minimum 6 foot length of 1/2" IPS rigid, threaded conduit into the junction box supplied, preferably on its own dedicated 20 amp circuit (see wiring diagram).



## PREPARATION

**A five gallon metal bucket must be used for processing your dirty solvent.** The bucket must have unobstructed openings in the top. Remove all caps and plastic pour spouts, a bucket with the entire top removed also works well. If a bucket with the entire top removed is used, prepare a space for the internal ground clamp by pinching a space on the lip with pliers and bending inward; creating a short horizontal lip.

If you choose to use Sidewinder processing bags (see your Sidewinder dealer), you must, nevertheless, still use a bucket. Just place the Sidewinder processing bag in a clean open top bucket and fold down the sides like lining a waste can. For best results when using Sidewinder processing bags, start with a clean open top bucket, bags may stick to dirty buckets with paint or coatings residue.

With all the chemicals available for use and all the different brand names it is impractical to try to list them all here (see **SOLVENTS TO PROCESS** ). Always check the material safety data sheet for hazard data. Do not process any solvent you cannot identify. Always use appropriate gloves, eye protection and respirator when handling solvents.

Fill the prepared metal cooking bucket with the waste solvent to be processed to 4 inches from the top. Do not overfill. Leave at least 4 inches from the top for expansion.

The clean solvent receiving vessel capacity for a batch style solvent distillation unit must be twice the batch size. A Sidewinder batch is Approximately five U.S. gallons. Use an empty five gallon metal bucket or an empty five gallon safety can to collect the clean processed solvent and place it in a secondary collection containment vessel with a capacity to adequately hold a full bucket of solvent plus five gallons (see your Sidewinder dealer).

Put Teflon® seal tape on the two solvent outlet pipes threads and install the clean solvent outlet tubes provided. While holding the outlet pipes with a pipe wrench, tighten securely. (Torque to 190 inch pounds)

**DANGER! -WARNING!-  
DO NOT PROCESS COMPOUNDS OF NITROCELLULOSE,  
CELLULOSE NITRATE , ACIDS  
OR ANY UNSTABLE REACTIVES**

## SOLVENTS TO PROCESS

- **Always check the Material Safety Data Sheet for hazard data.** If unsure, check with the solvent supplier and/or manufacturer for cautions and special instructions pertaining to distillation for reclaiming.
- **Never process any solvent mixtures you cannot identify.**
- **Do not process solvent mixtures having autoignition points below 500°F.**
- **Do not process solvent mixtures containing Nitro-Cellulose or Cellulose-Nitrate under any circumstance.** Many lacquers, inks and cements contain Nitro-Cellulose or Cellulose-Nitrate.
- **Do not process solvent mixtures containing unstable reactives under any circumstance.** Check MSDS.
- **Do not process solvent mixtures for human consumption.**
- **Do not process solvent mixtures to be used for fuel.**

The Sidewinder Model M-2 has been tested and is certified by Underwriters Laboratories, Inc. for the following solvents only:

Substance	*Flash Point	*Flash Point	*Autoignition	*Autoignition
	°F	°C	Temp. °F	Temp. °C
acetone	-4	-20	869	465
butanol	75-98	24-37	650-761	343-405
diacetone alcohol	148	64	1118	603
diethyl ketone	55	13	842	450
ethanol	55	13	685	363
ethyl acetate	24	-4	800	427
isoamyl alcohol	109	43	662	350
isobutyl acetate	77	25	790	421
isopropyl acetate	61	16	860	460
isopropyl alcohol	53	12	852	399
lacquer thinner	-4-109	-20-43	550-984	300-529
methanol	52	11	725	385
methyl cellosolve	115	46	545	285
methyl ethyl ketone	16	-9	759	404
methyl isobutyl ketone	64	18	840	440
methyl n-amyl ketone	120	49	991	533
2-methyl-2-propanol	52-82	11-28	780-892	416-478
mineral spirits	101	38	550	288
n-butyl acetate	72	22	790	421
n-propyl acetate	54	12	842	450
naphtha (light aliphatic)	50	10	500	260
naphtha (petroleum spirits)	107	42	550	300
paint thinner	0	-18	550	288
propanol	53-74	12-23	750-775	399-413
stoddard	105	41	500	260

\* These figures come from sources deemed reliable and are believed to be accurate, however, since temperatures can be affected by the test method, the exactness of the figures is not guaranteed and should be used only as a general guide.

## **OPERATING YOUR SIDEWINDER**

The red LED on the front panel, beside the on/off button, will be illuminated when “POWER” is supplied to the unit. The green LED on the front panel, beside the on/off button, will be illuminated when the unit is “READY” to begin a new batch.

Position the clean solvent collection vessel (see PREPARATION) in position to receive the clean solvent from the clean solvent outlet tubes. Do not allow the free ends of the clean solvent outlet tubes to protrude below the full bucket liquid level, only 1 inch into the bucket is sufficient. Do not attempt to seal the clean solvent outlet tubes in any way. They must be allowed to breathe at atmospheric pressure.

Remove the lid. Prior to each batch, the metal to metal seal on the heating vessel and the lid must be wiped free of any dust or grit and then lubricated with a film of petroleum jelly (Vaseline® or equal) to avoid buildup from spillage.

Carefully lower the prepared metal cooking bucket with the solvent to be processed (see PREPARATION) into the heating vessel. Always check the material safety data sheet for compatibility. Do not process any solvent you cannot identify. Always use appropriate gloves, eye protection and respirator when handling solvents. Do not overfill. Leave at least 4 inches from the top for expansion.

Clamp the internal grounding clamp onto the prepared metal cooking bucket. If a bucket with the entire top removed is used, prepare a space for the internal ground clamp by pinching a space on the lip with pliers and bending inward; creating a short horizontal lip. Clamp to the lip. If you are using Sidewinder processing bags, bunch the bag at this lip so that you are clamping to the metal bucket directly. On a bucket that has had the pour spout removed, clamp on the edge of the pour spout hole.

Place the lid on the heating vessel so that the arrow on the lid aligns with the “line mark” on the rim of the heating vessel. With the lid level first tighten any two opposite wing nuts slightly. Continue to tighten opposite wing nuts until all are finger tight (torque: 25 inch pounds). Check that lid is level and straight on the heating vessel to insure a firm seal.

The red square button on the front panel is an on and off button. Press the button once to turn on. The red switch will be illuminated when the machine is on.

Allow the machine to process the solvent. It will turn itself off automatically. When the red switch is no longer illuminated the process is finished. When the green LED is illuminated you may proceed with another batch.

Always allow adequate cool down before opening the unit. Allow the green LED to illuminate before loading another batch. Never add solvent to hot solvent. Never add solvent to a hot cooking bucket. Never add solvent to a hot heating vessel.

The process can be stopped manually by pushing the on/off button and, thereby, turning off the illuminated red switch. The refrigeration unit will continue to operate while cool down is in progress. Be aware that if you shut down early additional cooling time should be allowed for.



## **THINGS TO REMEMBER**

The Sidewinder was designed to recycle dirty solvents, not water. Water contaminated solvent should be separated before recycling. Over 95% of our customer inquiries regarding long processing times or early unfinished shut down can be traced back to water in the solvent mix. The most common evidence of water in the solvent mix is a yellowish, oil-like puddle at the bottom of the clean solvent.

Units are set at the factory for the anticipated use within the anticipated user type category. Occasionally, a new installation may require some adjustments to process an untypical solvent or perform properly at your elevation and climate condition. Contact your dealer or call the factory.

For best results, a unit should be dedicated to a single type of solvent whenever possible. If more than one solvent is to be processed a machine should be dedicated to each one and processed in the vicinity of where the waste is produced, thereby, reducing handling and eliminating hauling hazardous waste from site to site.

Use an empty five gallon metal bucket or an empty five gallon safety can to collect the clean processed solvent. Place it in a secondary collection containment vessel with a capacity to adequately hold a full bucket of solvent plus five gallons (see your Sidewinder dealer).

You must still use a bucket if you choose to use Sidewinder processing bags. Just place the Sidewinder processing bag in a clean open top bucket and fold down the sides like lining a waste can. For best results when using Sidewinder processing bags, start with a clean open top bucket, bags may stick to dirty buckets with paint or coatings residue.

Prior to each batch, the metal to metal seal on the heating vessel and the lid should be wiped free of any dust or grit and then lubricated with a film of petroleum jelly (Vaseline® or equal). At times the lid may need assistance to break its seal. Apply gentle pressure with a pry tool between the pot and lid latch ears. Do not force, pull or twist the handle.

Place the lid on the heating vessel so that the arrow on the lid aligns with the "line mark" on the rim of the heating vessel.

First tighten any two opposite wing nuts slightly. Continue to tighten opposite wing nuts until all are tight. Check that the lid is level and straight on the heating vessel to insure a firm seal.

It is not unusual for a small amount of solvent to condense and remain in the heating vessel after shut down. This can be wiped dry or left alone. It will not affect the next batch nor will it accumulate.

Don't overfill the cooking bucket. The liquid expands and could contaminate your clean batch. Leave at least 4 inches from the top of the bucket. Do not seal the cooking bucket, it must be an open container.

Position the clean solvent outlet tubes above the clean solvent full line or upon cool down it can vacuum a bit of clean solvent back up the tubes into the heating vessel. Leave air space to avoid this.

Do not attempt to seal the clean solvent outlet tubes in any way. It must be free to breathe.

Routinely check the clean solvent outlet tubes and keep free of any accumulated build-up or obstructions.

For your protection always use appropriate gloves, eye protection and respirator.

## MAINTENANCE

### Prior to each batch:

- Make a general inspection of the unit for defects or unusual conditions. Do not use the unit with any defects or if in doubt about any conditions.
- Clean up any spills immediately upon occurrence.
- Remove any slop or build-up within the heating vessel.
- Lubricate the metal to metal seal of the heating vessel and lid with petroleum jelly.
- Check that debris is picked up and not allowed to accumulate around the unit. Be sure that debris is not allowed to restrict air flow through the condenser fins.
- Use a short, low pressure blast (25 psi) of compressed air into one of the clean solvent outlet tubes, while the unit is empty and the lid is off and air is restricted through the other clean solvent outlet tube. Use proper eye protection. There should be no restriction of air flow between the clean solvent outlet tube and the hole(s) on the walls inside the heating vessel. Repeat with the other clean solvent outlet tube. Do not use the unit if there are any obstructions.

### Routine weekly:

- Check the safety relief valve. Use a short, low pressure blast (5 psi) of compressed air into one of the clean solvent outlet tubes, while the unit is empty and the lid is in place and while air is restricted through the other clean solvent outlet tube, it should relieve pressure at less than 5 psi. If not, remove and clean or replace the safety relief valve. Be careful excess pressure can cause damage. Always use proper eye protection.
- Clean the condenser fins using a wire brush and a blast of compressed air. Always use proper eye protection.
- Make a general inspection of the unit for defects or unusual conditions. Do not use the unit with any defects or if in doubt about any conditions.

### Routine monthly:

- **Disconnect from power**, remove the access panel on the units left side (opposite the outlet tubes, your right facing the front logo panel) and carefully wipe any accumulation of dirt and debris that may have accumulated on the fan blades.
- Make a general inspection of the unit for defects or unusual conditions. Do not use the unit with any defects or if in doubt about any conditions.

## **TROUBLE SIGNALING**

The control system in your Sidewinder is always monitoring to be sure the system is functioning properly. The circuitry will signal if there is a problem. If signaling occurs please familiarize yourself with these signals.

### ***NO ILLUMINATION OF THE ON/OFF SWITCH***

Be sure the unit is wired in correctly and check to see if the power indicator (Red LED) next to the on/off button is illuminated. Power to the unit is faulty or Fuse F1 or F2 may need replacing.

### ***STEADY BEEP TONE AND BLINKING ON/OFF SWITCH***

This condition indicates a loose, missing or faulty thermal sensor or that the machine is in an ambient temperature too cold to operate properly. The Sidewinder is designed for use in ambient room temperature from 50°F (10°C) to 95°F (35°C). Otherwise, check the connection of the double white, blue, red and black wire thermal sensors where they connect to the control board. If the connection is sound and the temperature is proper, a thermal sensor may need replacing.

### ***INTERMITTENT BEEP TONE WITH BLINKING ON/OFF SWITCH THAT, TOGETHER, REPEATEDLY PAUSE AND START AT ONE SECOND INTERVALS***

This condition indicates a cautionary safety shut down has occurred. Check unit for visual signs of problems. It could be that the machine is in an ambient temperature too hot to operate properly. The Sidewinder is designed for use in ambient room temperature from 50°F (10°C) to 95°F (35°C). Additionally or alternatively, it may be a reaction to positioning too close to a wall, not sufficient ventilation, untimely power interruption, low refrigerant levels, dirty or blocked condenser fins or dirty or faulty condenser fan. Fuse F4 will need replacing. If the condition occurs check for technical support from your dealer or the factory.

### ***INTERMITTENT BEEP TONE WITH BLINKING ON/OFF SWITCH WITHOUT PAUSE***

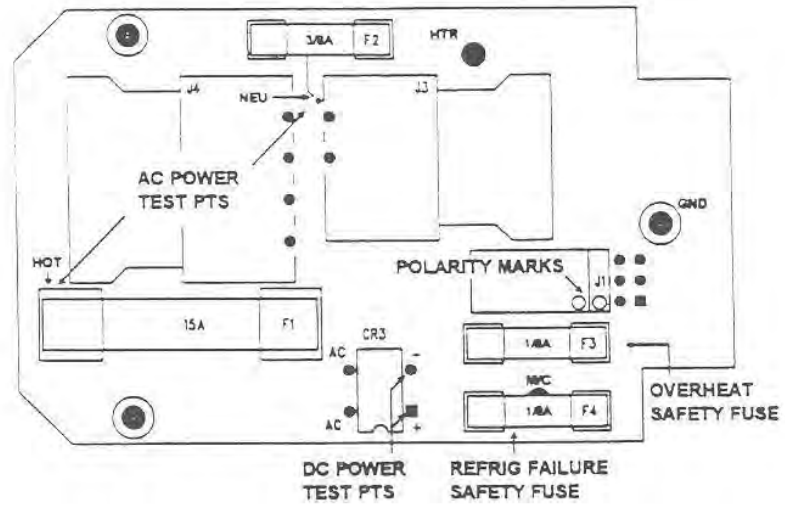
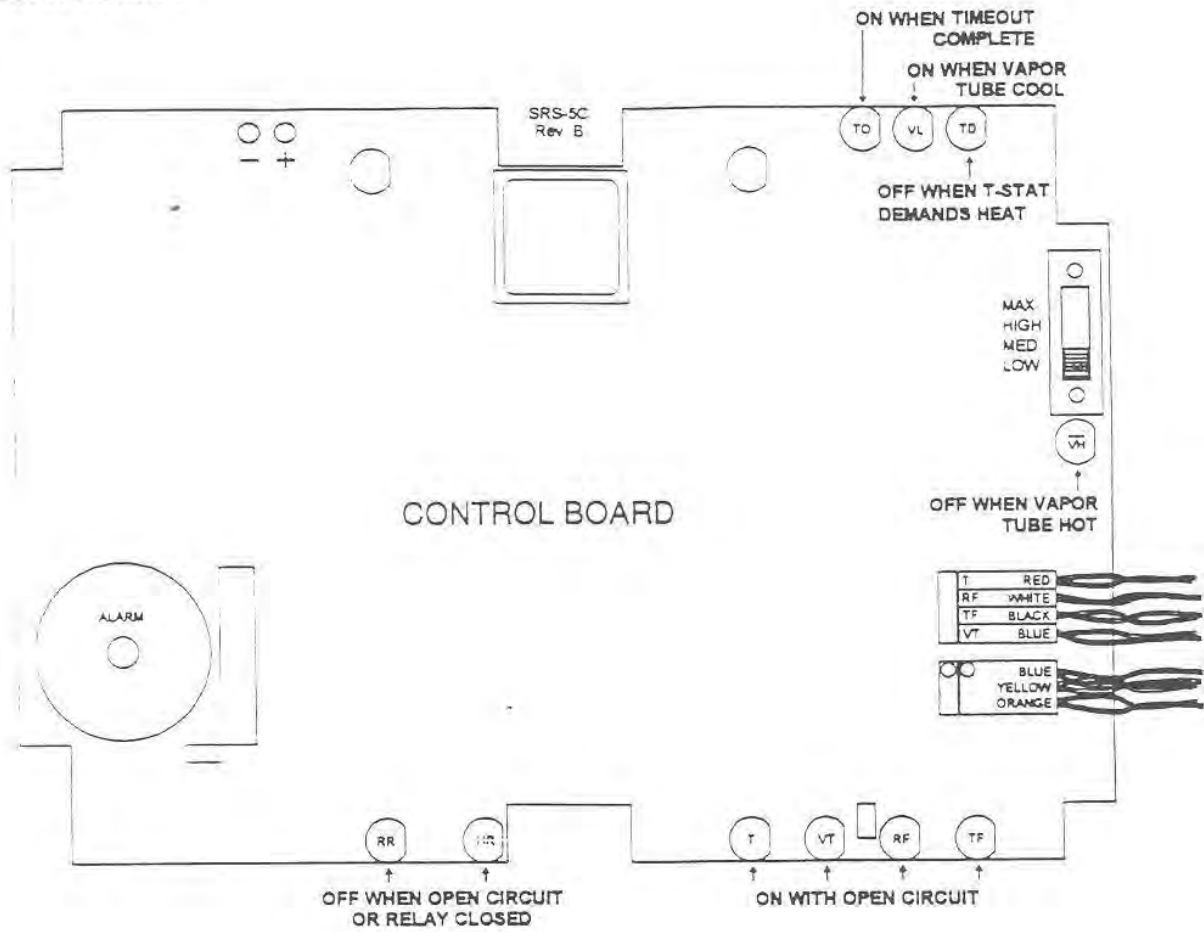
This condition indicates a cautionary safety shut down has occurred. Check unit for visual signs of problems. It could be thermostat sensing circuit failure. The red thermal sensor may need replacing. Call for technical support from your dealer or the factory, a simple check with a multi-meter can determine the trouble. Fuse F3 will need replacing.

## **ALWAYS DISCONNECT FROM THE POWER SOURCE BEFORE ACCESSING THE ELECTRONIC CIRCUITRY**

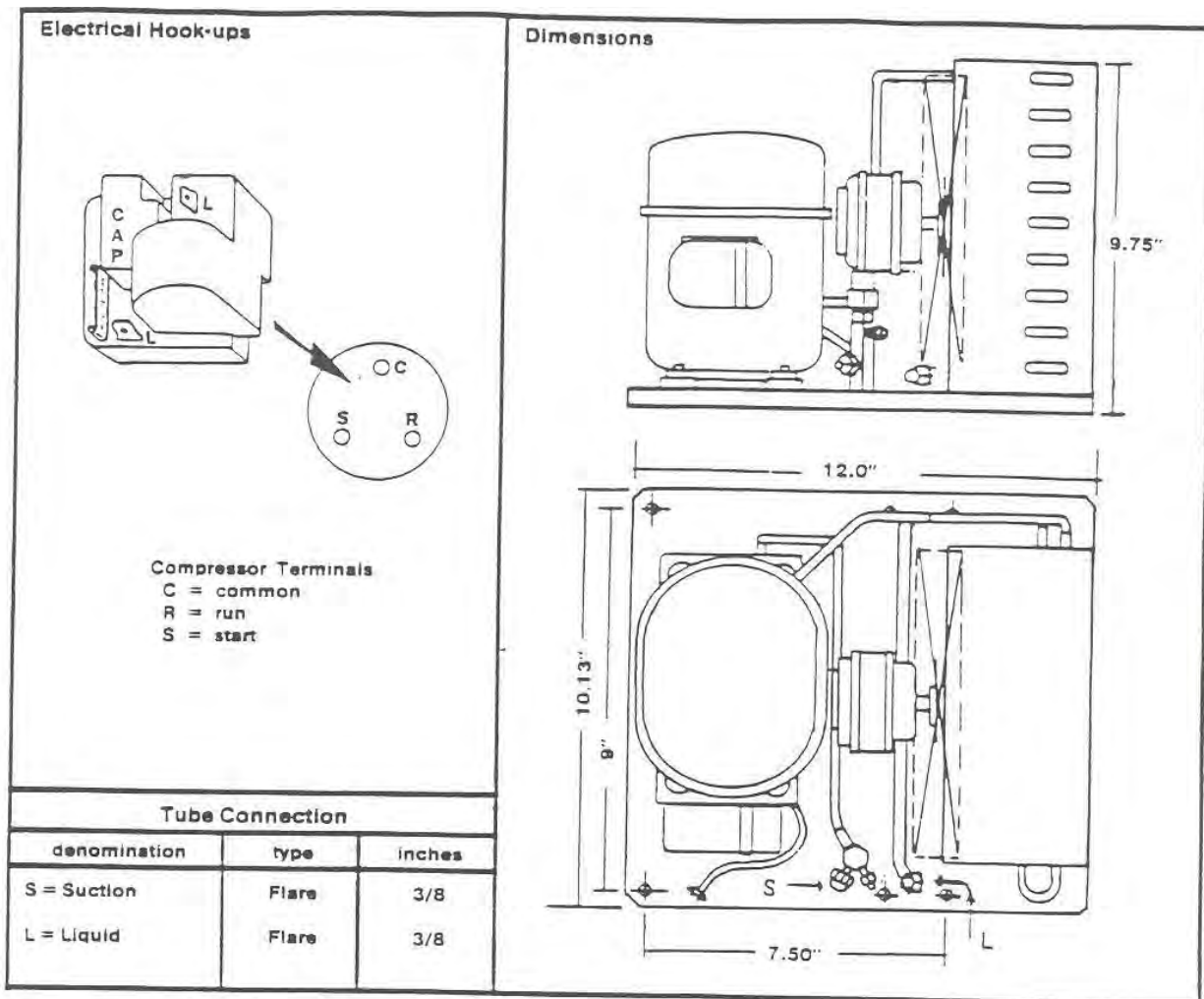
### **USE FUSE PULLER WHEN REPLACING FUSES**

### **BE SURE NOT TO BEND OR DAMAGE FUSE CLIP MOUNTS WHEN REPLACING FUSES**

CIRCUIT BOARDS



POWER BOARD



- Max. Fuse: 15 amp at F - 1
- Fan Cooling: Forced draft with a 5 watt CW fan motor and an 8.75" fan blade with 30° S pitch
- Compressor Oil: polyol ester oil - Mobil # EAL 22CC
- Restrictor: Capillary Tube - 96" x .042 ID for evaporator temp 0° F to 10° F
- Refrigerant: HFC - R 134a 0.16 Kg

**AS0103** BAKELITE  
TOP HANDLE W/SCREWS

**AS0104** BAKELITE KNOB WING

LID

**AS0105** CLAMP BOLT



**AS0106** PIN FOR CLAMP BOLT



**AS0107** RETAINING CLAMP



**AS0108** ROUND SLOTTED  
RETAINING CLAMP SCREW \*

HEATING VESSEL

SKIN

INSULATION

TFE VAPOR TUBE \*

**300300** HEATER ASSEMBLY  
COMPLETE

INSULATED PAN

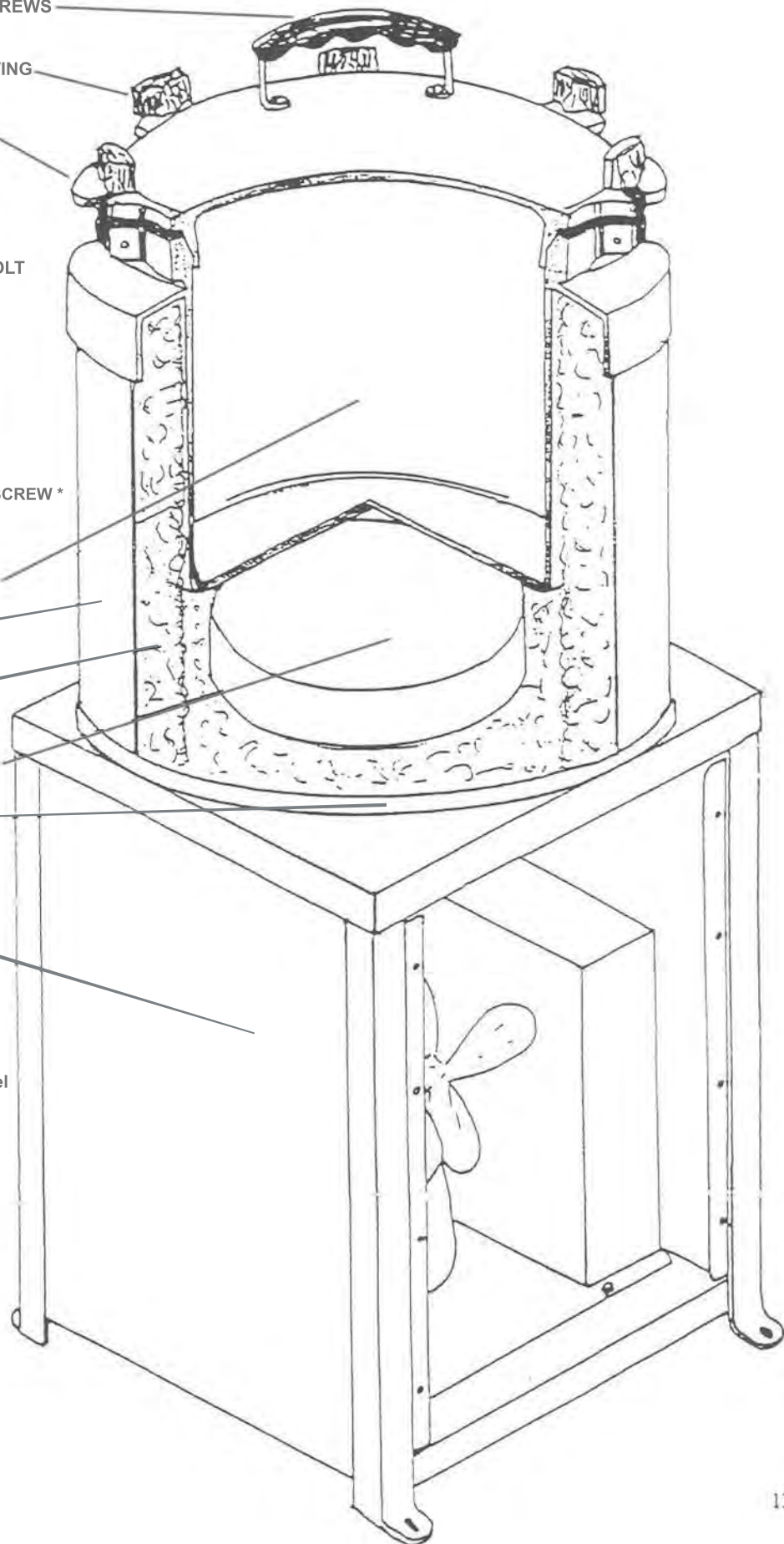
TFE FILL TUBE \*

**100100** EVAPORATOR  
ASSEMBLY \*

HOUSING FRAME

- a. top
- b. left side w/legs
- c. right front leg
- d. right rear leg
- e. front logo panel
- f. right access panel
- g. rear panel

\* not shown



**PERSYST ENTERPRISES, INC.**  
**SIDEWINDER MODEL M-2 LIMITED ONE YEAR WARRANTY**  
**Warranty Policy**

Every Sidewinder Model M-2 unit is thoroughly inspected and tested before leaving the factory. It is warranted to be free of defects from workmanship and materials for a period of ONE YEAR from the date of original purchase. Should any trouble develop during this one-year period, return the COMPLETE unit, freight prepaid, to Persyst Enterprises, Inc. or an authorized Service Center. If inspection shows the trouble is caused by defective workmanship or material, Persyst Enterprises, Inc. will repair (or at our option, replace) without charge. All decisions as to the cause of failure are the sole determination of Persyst Enterprises, Inc.

This warranty does not apply where:

- **repairs have been made or attempted by others,**
- **repairs are required because of normal wear and tear,**
- **the unit has been abused, misused or improperly maintained,**
- **incompatible chemicals cause corrosion,**
- **alterations have been made to the unit.**

IN NO EVENT SHALL PERSYST ENTERPRISES, INC. BE LIABLE FOR ANY INDIRECT, INCIDENTAL OR CONSEQUENTIAL DAMAGES FROM THE SALE OR USE OF THE PRODUCT. THIS DISCLAIMER APPLIES BOTH DURING AND AFTER THE TERM OF THIS WARRANTY.

PERSYST ENTERPRISES, INC. DISCLAIMS LIABILITY FOR ANY IMPLIED WARRANTIES, INCLUDING IMPLIED WARRANTIES OF "MERCHANTABILITY" AND "FITNESS FOR SPECIFIC PURPOSE," AFTER THE ONE-YEAR TERM OF THIS WARRANTY.

This warranty gives you specific legal rights, and you may also have other rights which vary from state to state. Some states do not allow the exclusion or limitation of incidental or consequential damages, so the above limitations or exclusion may not apply to you. Some states do not allow limitation on how long an implied warranty lasts, so the above limitation may not apply to you.

**DANGER! -WARNING!-**  
**DO NOT PROCESS COMPOUNDS OF NITROCELLULOSE,**  
**CELLULOSE NITRATE , ACIDS**  
**OR ANY UNSTABLE REACTIVES**

PERSYST ENTERPRISES, INC. 4695 MELVIN STREET, LAS VEGAS, NV 89115 (702) 362-9432